

OPTIMIZED PRODUCTION TECHNOLOGY

SCREW - FEED AND DRIVE SYSTEMS



SEPERATOR



DC TRACK



JAM FREE



AUT. VIBRATION CONTROL



SOUND INSULATION



MOUHPICE

BÖLL•TEC
AUTOMATION



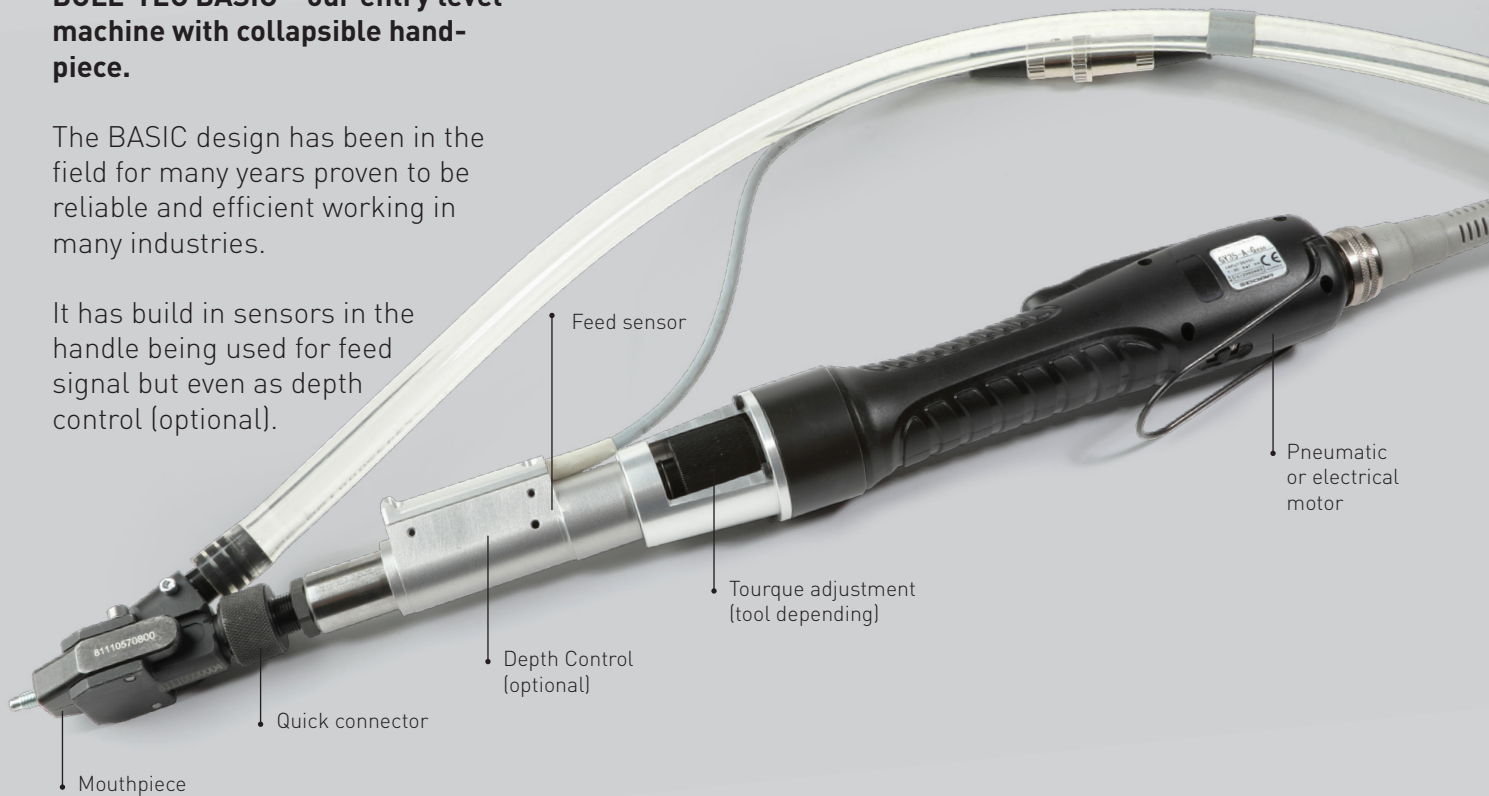
Modular system adapted to your production

BÖLL-TEC BASIC

BÖLL-TEC BASIC – our entry level machine with collapsible hand-piece.

The BASIC design has been in the field for many years proven to be reliable and efficient working in many industries.

It has build in sensors in the handle being used for feed signal but even as depth control (optional).

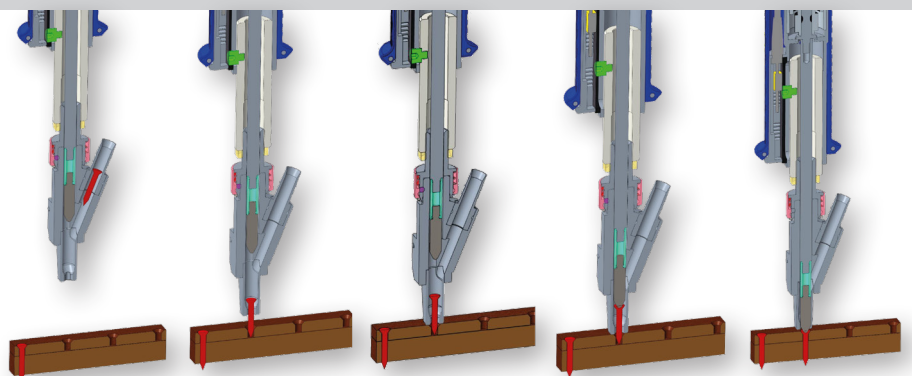


By compressing the handpiece the motor is started (by push start) and the Jaws (mouthpiece) are engaged to the surface while the screw is inserted. Due to this system it is not to be used in operation with delicate surface. It is ideal for general industry like wood, sheet-metal and similar.

Basic

Basic	
Dimensions	
Total length	Approx 450 mm
Diameter of grip	Approx 40 mm
Torque	15 Nm
Speed	Up to 3500 rpm
Weight	Approx 500 g (without motor)
Screw dimensions	
Head diameter	Up to 13 mm
Shank length	50 mm
Shank diameter	2 - 8 mm

BÖLL-TEC
AUTOMATION



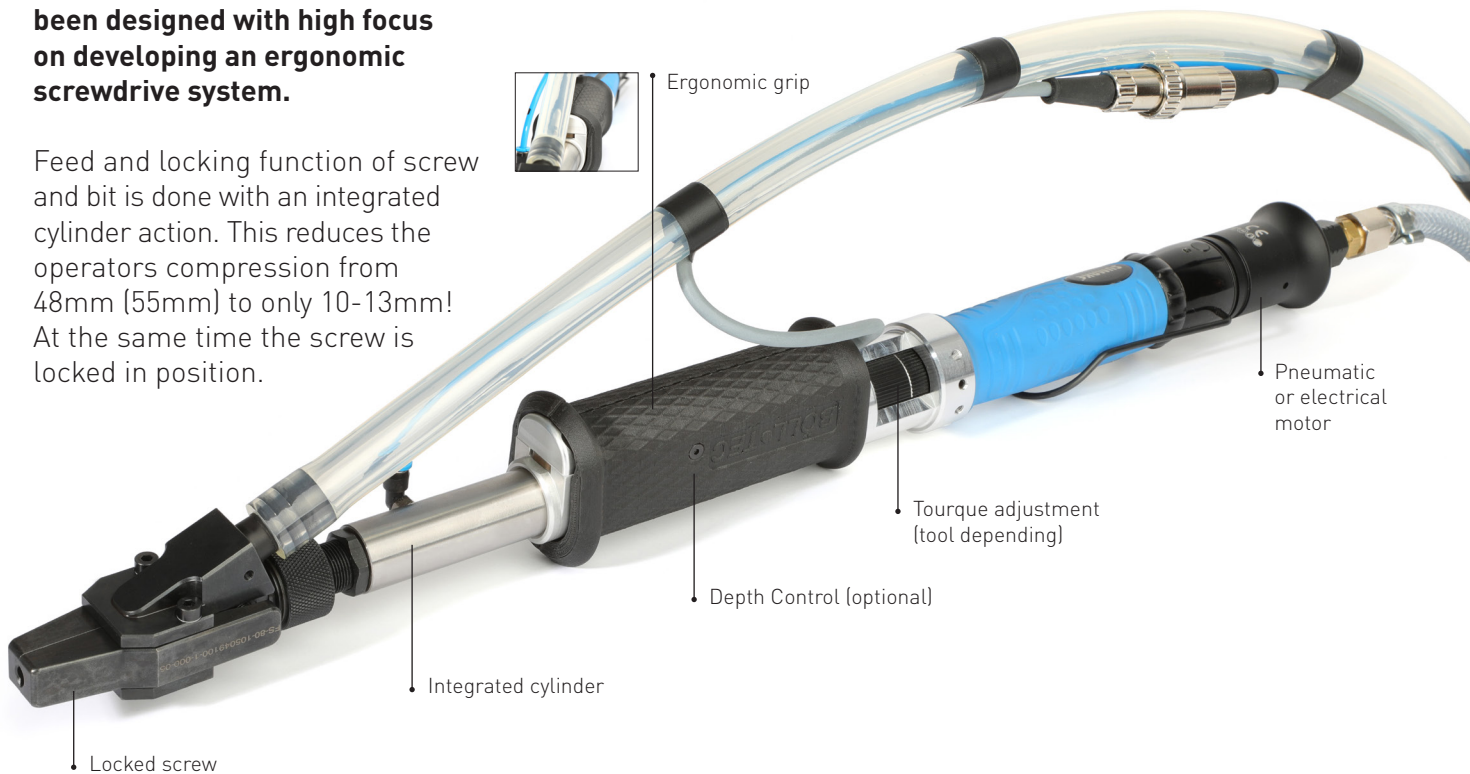
Ergonomic high speed Screwdrive System

BÖLL-TEC BASIC COMFORT

LOCKED SCREW / BIT

BÖLL-TEC BASIC COMFORT has been designed with high focus on developing an ergonomic screwdrive system.

Feed and locking function of screw and bit is done with an integrated cylinder action. This reduces the operators compression from 48mm (55mm) to only 10-13mm! At the same time the screw is locked in position.

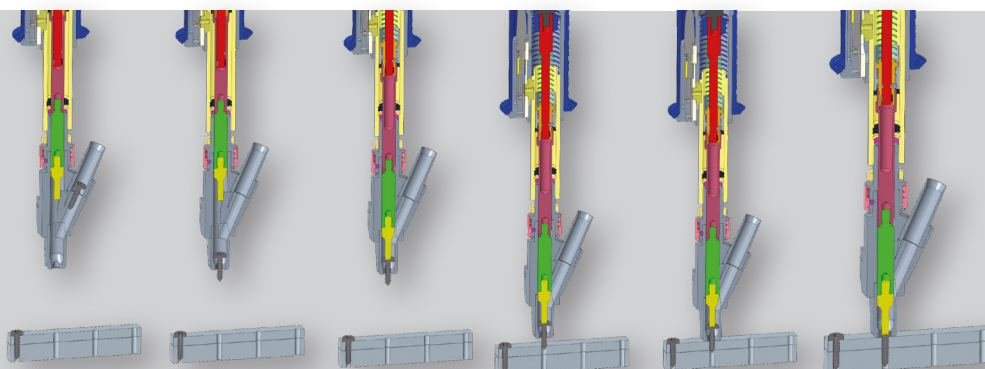


Due to the locking action the operator can use the locked screw to search/find correct screwlocation ensuring higher efficiency and higher production output.

Ideal solution for metric and selftapping screws where contact to the surface can be accepted.

Basic Comfort

Dimensions	
Total length	Approx 450 mm
Diameter of grip	Approx 40 mm
Torque	15 Nm
Speed	Up to 3500 rpm
Weight	Approx 500 g (without motor)
Screw dimensions	
Head diameter	Up to 13 mm
Shank length	50 mm
Shank diameter	2 - 8 mm

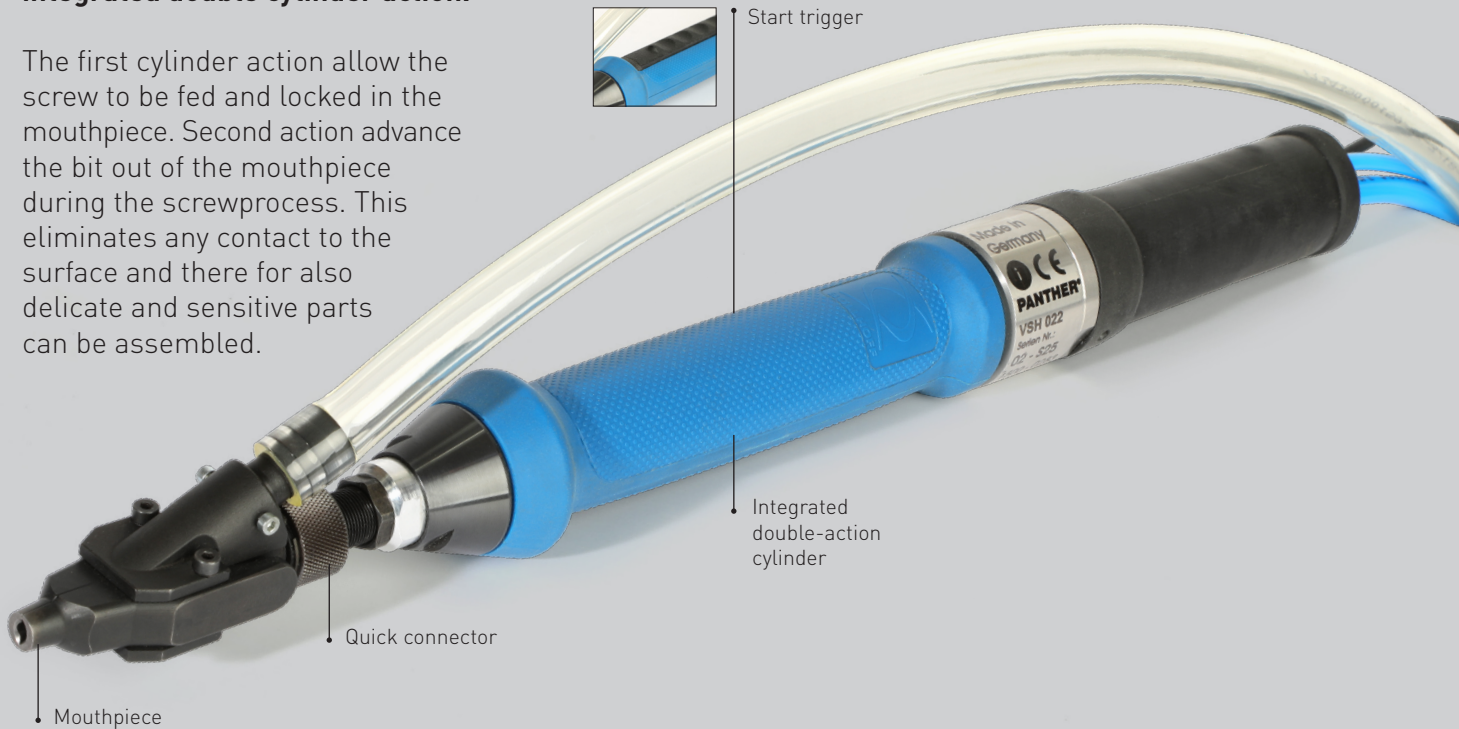


High-end system with integrated double cylinder action

BÖLL-TEC ADVANCE

BÖLL-TEC ADVANCE screwsystem is our high-end product with integrated double cylinder action.

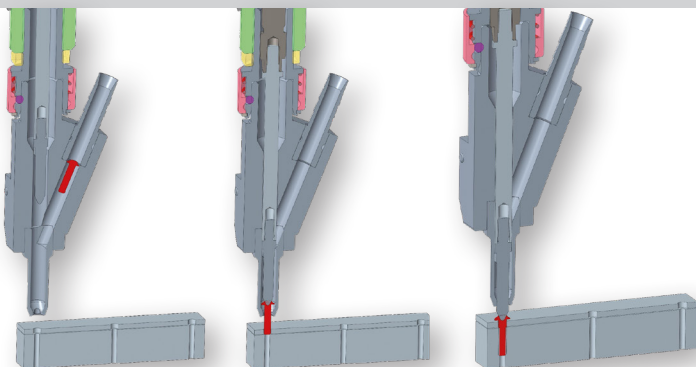
The first cylinder action allow the screw to be fed and locked in the mouthpiece. Second action advance the bit out of the mouthpiece during the screwprocess. This eliminates any contact to the surface and there for also delicate and sensitive parts can be assembled.



Our open adaptation in the design also allows different motoradaptation like f. ex. Electrical tools with data collection and full control of assembling parameters.

Advance

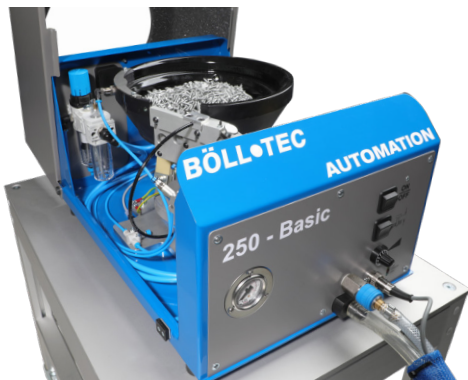
Dimensions	Pneumatic	Open interface
Total length	500 mm	590 mm
Diameter of grip	38 mm	38 mm
Stroke	15/25/50 mm	10/20/50/100 mm
Torque	0.8-5 Nm	1-6 Nm
Speed	500/900/1500 U/min	1600 U/min
Weight	1.6 kg	Depends on drive
Screw dimensions		
Head diameter	Up to 13 mm	Up to 13 mm
Shank length	Up to 40/50 mm	Up to 40/50 mm
Shank diameter	4-6/8 mm	4-6/8 mm



BÖLL•TEC
AUTOMATION

Modular system adapted to your production

DURABLE FEEDER SYSTEMS



The heart in any screwautomation.

Our feeders are deployed in many different industries like ex. Automotive and they are proven to be reliable over years of deployment with 24/7 operation.

3 standard feeders covers screwsizes from Ø2 mm till 22 mm.

	Type 250	Type 340	Type 360
Track width	4.0-9.5 mm	10.0-14.5 mm	15.0-22 mm
Fastener head diameter up to	9 mm	14 mm	22 mm
Fastener length up to	45 mm	55 mm	70 mm
Filling volume	1 l	2.5 l	3 l
Dimensions in mm (W x D x H)	370 x 540 x 330	420 x 600 x 340	500 x 600 x 400
Open cover hood H ₂	520 mm	600 mm	-
Open covering lid H ₃	560 mm	660 mm	-
Weight	28 Kg	32 Kg	>50 Kg
Compressed air connection	6 bar		
Power Supply	220 V AC / 24 DC		



BOLL•TEC

AUTOMATION

Stærmosevej 190 · DK - 5690 Tommerup
Tel. +45 70 20 09 39 · bolltec@bolltec.com

www.bolltec.com

Dealer: